



Burners for gas two stages progressive (hi-low flame) or modulating (PID fully modulating) with the addition of the optional system modulation kit plus feeder. Fan at high pressurisation, combustion head with adjustment at high efficiency and high flame stability.

Disposition rationalized of the components with accessibility facilitated for the operations of setting and maintenance.

Gas train complete of working valve with flow adjustment, safety valve, gas pressure switch, filter stabiliser of gas pressure, completely assembled, electrically linked and tested.

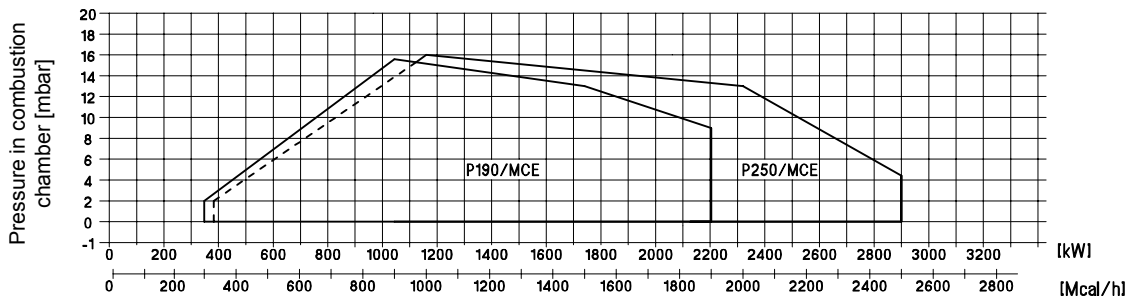
## TECHNICAL DATA

MODEL		GAS P190/MCE	GAS P250/MCE
Thermal power *	Mcal/h	300/900-1900	330/1000-2500
Thermal power	kW	348/1044-2204	383/1160-2900
G20 (NATURAL GAS) Delivery	Nm <sup>3</sup> /h	35/105-222	39/117-292
Delivery G31 (L.P.G.)	Nm <sup>3</sup> /h	14/41-86	15/45-113
Nominal pressure G20 (NATURAL GAS) **	mbar	110:D2"-54:DN65 42:DN80	88:DN65-62:DN80
Nominal pressure G31 (L.P.G.) **	mbar	62:D2"-40:DN65 36:DN80	61:DN65-52:DN80
Maximum pressure	mbar	200	200
Motor power	W	4000	5500
Maximum absorbed power	W	4500	6000
Electrical supply		three-phase 230/400V (-15% +10%) 50Hz	
Level of electrical protection		IP40	
Safety time of control box		≤ 3 sec.	

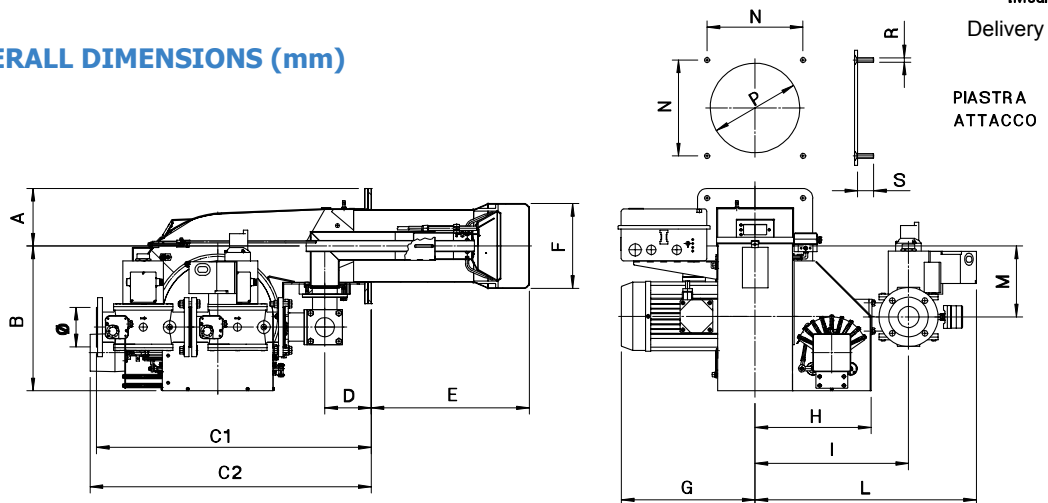
\* Minimum of the 1° STAGE/Minimum of the 2° STAGE-Maximum of the 2° STAGE

\*\* Minimum pressure for to get the maximum delivery

## OPERATING RANGE: Thermal power - Pressure in combustion chamber



## OVERALL DIMENSIONS (mm)



MODEL	A	B	C1	C2	D	E	F	G	H	I	L	M	N	P	R	S	Ø
GAS P190/MCE-D2"	180	453	504	934	145	495	265	430	363	509	673	254	300	280	M14	50	D2"
GAS P190/MCE-DN65	180	453	859	934	145	495	265	430	363	480	693	254	300	280	M14	50	DN65
GAS P190/MCE-DN80	180	453	859	934	145	495	265	430	363	480	693	254	300	280	M14	50	DN80
GAS P250/MCE-D2"	180	453	504	934	145	495	270	430	363	509	673	254	300	280	M14	50	D2"
GAS P250/MCE-DN65	180	453	859	934	145	495	270	430	363	480	693	254	300	280	M14	50	DN65
GAS P250/MCE-DN80	180	453	859	934	145	495	270	430	363	480	693	254	300	280	M14	50	DN80