



BURNERS FOR GAS TWO STAGES PROGRESSIVE (HI-LOW FLAME) OR MODULATING



Burners for gas two stages progressive (hi-low flame) or modulating (PID fully modulating) with the addition of the optional system modulation kit plus feeder. Fan at high pressurisation, combustion head with adjustment at high efficiency and high flame stability.

Disposition rationalized of the components with accessibility facilitated for the operations of setting and maintenance.

Gas train complete of working valve with flow adjustment, safety valve, gas pressure switch, filter stabiliser of gas pressure, completely assembled, electrically linked and tested.

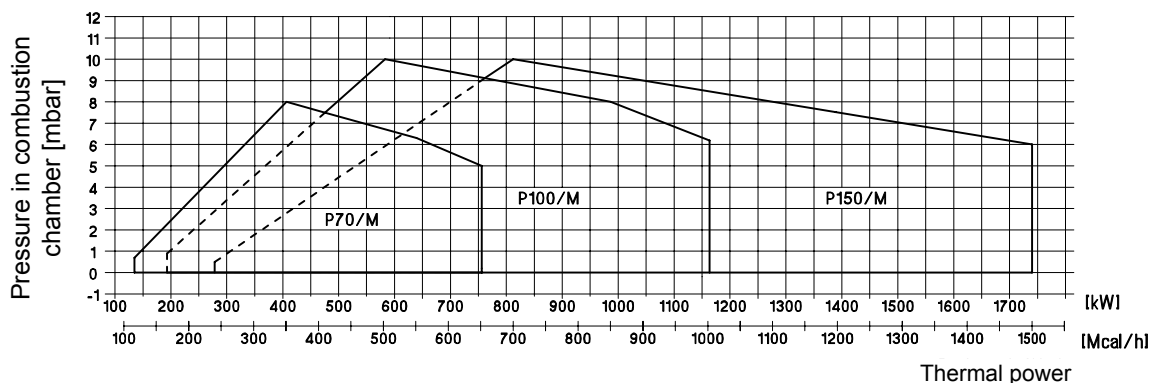
TECHNICAL DATA

MODEL		GAS P70/M	GAS P100/M	GAS P150/M
Thermal power *	Mcal/h	116/350-650	172/500-1000	240/700-1500
Thermal power	kW	135/406-754	200/581-1162	279/814-1744
G20 (NATURAL GAS) Delivery	Nm ³ /h	13.5/41-76	20/58.4-117	28/81.7-175.2
Delivery G31 (L.P.G.)	Nm ³ /h	5.2/15.7-29.3	7.8/22.6-45.2	10.8/31.6-67.8
Nominal pressure G20 (NATURAL GAS) **	mbar	31:DN40-22:DN50	37:DN50-25:DN65	38:DN65-32:DN80
Pressure min. G31 (L.P.G.) **	mbar	36:DN40-31:DN50	49:DN40-41:DN50	45:DN50-38:DN65
Maximum pressure	mbar	200	200	200
Motor power	W	1100	2200	3000
Maximum absorbed power	W	1150	2300	3400
Electrical supply	three-phase 230/400V (-15%+10%) 50Hz			
Level of electrical protection	IP40			
Safety time of control box	≤ 2 sec.			

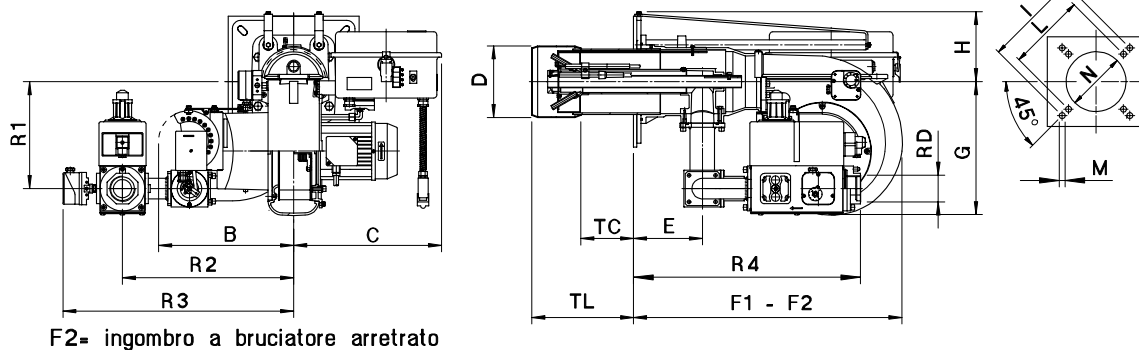
* Minimum of the 1° STAGE/Minimum of the 2° STAGE-Maximum of the 2° STAGE

** Minimum pressure for to get the maximum delivery

OPERATING RANGE: Thermal power - Pressure in combustion chamber



OVERALL DIMENSIONS (mm)



MODEL	B	C	D	E	F1	F2	G	H	I	L	M	N	TC	TL	R1	R2	R3	R4	RD
GAS P70/M-D1 1/2	331	362	175	168	660	1100	327	171	368	340	12	185	250	385	262	415	580	538	Rp. 1 1/2-ISO-7/1
GAS P70/M-D2	331	362	175	168	660	1100	327	171	368	340	12	185	250	385	262	415	580	538	Rp. 2"-ISO-7/1
GAS P100/M-D2	376	372	185	184	660	1100	438	173	368	340	12	195	250	385	262	500	592	580	Rp. 2"-ISO-7/1
GAS P100/M-DN65	376	372	185	184	660	1100	438	173	368	340	12	195	250	385	262	500	592	580	DN65-ISO-7005-1-PN16
GAS P150/M-D2	376	372	210	193	816	1396	438	213	368	340	14	220	280	400	228	460	625	602	Rp. 2"-ISO-7/1
GAS P150/M-DN65	376	372	210	193	816	1396	438	213	368	340	14	220	280	400	228	510	665	590	DN65-ISO-7005-1-PN16
GAS P150/M-DN80	376	372	210	193	816	1396	438	213	368	340	14	220	280	400	228	550	720	630	DN80-ISO-7005-1-PN16