




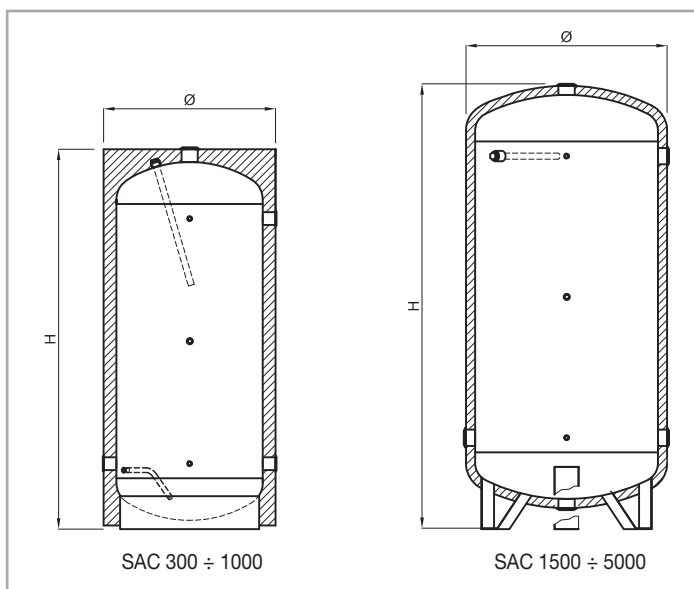


SAC


 : +95°C

P_{MAX} : 10 bar (300÷1000)
6 bar (1500÷5000)




Mod	Cod				
SAC 300	A3I0L51 PGP40	300	650	1400	1.1/4" x 320
SAC 500	A3I0L55 PGP40	500	750	1695	1.1/4" x 410
SAC 800	A3I0L60 PGP40	800	900	1785	1.1/4" x 520
SAC 1000	A3I0L62 PGP40	1000	900	2035	1.1/4" x 520
SAC 1500	A3I0H67 P9016	1500	1100	2445	1.1/4" x 670
SAC 2000	A3I0H70 P9016	2000	1200	2415	1.1/4" x 670
SAC 3000	A3I0H74 P9016	3000	1350	2770	1.1/4" x 700
SAC 5000	A3I0H80 P9016	5000	1700	2920	1.1/2" x 640

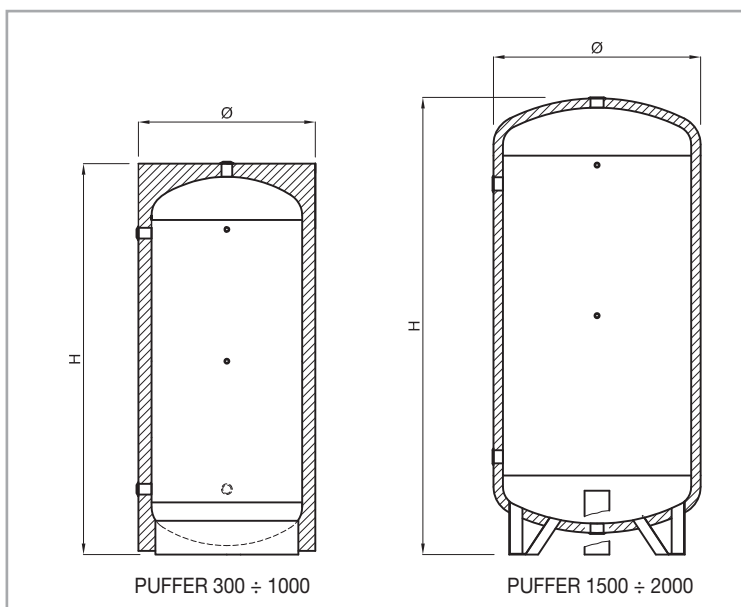


PUFFER

 : +95°C

P_{MAX} : 10 bar (300÷1000)
6 bar (1500÷2000)

Mod	Cod			
P 300	A3G0L51 PGP40	300	650	1400
P 500	A3G0L55 PGP40	500	750	1695
P 800	A3G0L60 PGP40	800	900	1785
P 1000	A3G0L62 PGP40	1000	900	2035
P 1500	A3G0H67 P9016	1500	1100	2445
P 2000	A3G0H70 P9016	2000	1200	2420



Hot water cylinders

Preparatori di acqua calda