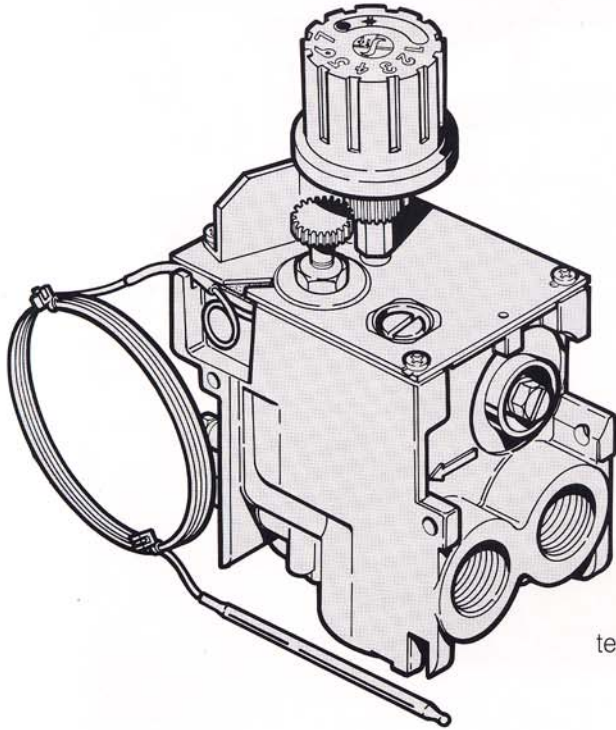




SIT FOR
COOKING APPLIANCES

630 EUROBIT[®]



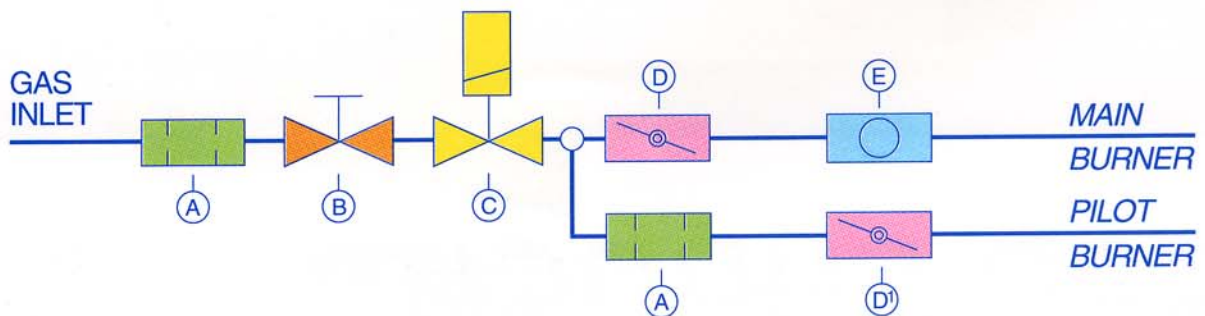


A multi-functional single-knob valve with combined modulating/snap thermostatic control. **630 EUROSIT** is particularly suitable for use with catering equipment, it does not require an electrical power supply and is suitable for operation in ambient temperatures up to 120°C.

MAIN FEATURES

- Manual shut-off **(B)**
- Thermoelectric flame failure device **(C)**
- Maximum gas flow adjuster **(D)**
- Minimum flow adjustment screw **(D)**
- Combined modulating/snap thermostat **(E)**
- Pilot outlet with gas flow adjustment screw **(D)**
- Inlet filter and pilot **(A)**
- Inlet and outlet pressure test points
- Main gas inlet and outlet at side or bottom
- Main gas connections by means of threaded pipe or nut and olive

WORKING DIAGRAM

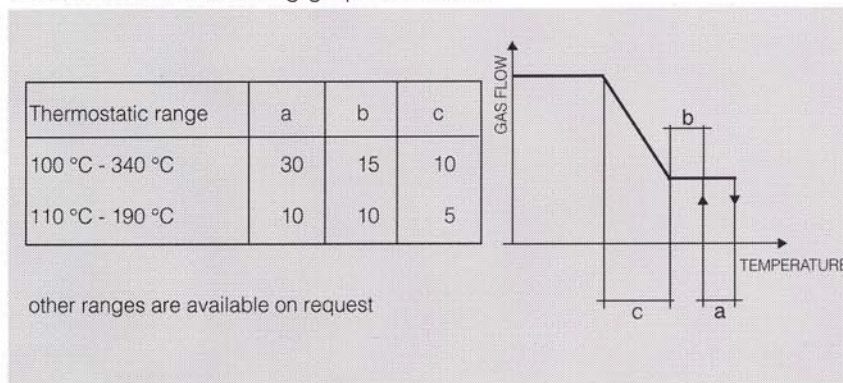


TECHNICAL DATA

Working temperature range	0-120 °C
Max. gas inlet pressure	50 mbar
Flame supervision system (using SIT series 200 or 290 thermocouples)	
Ignition time	< 10 s
Cut-off time	< 60 s
Installation position	any position
Gas connections	Rp 3/8 ISO 7
Gas families	I, II and III

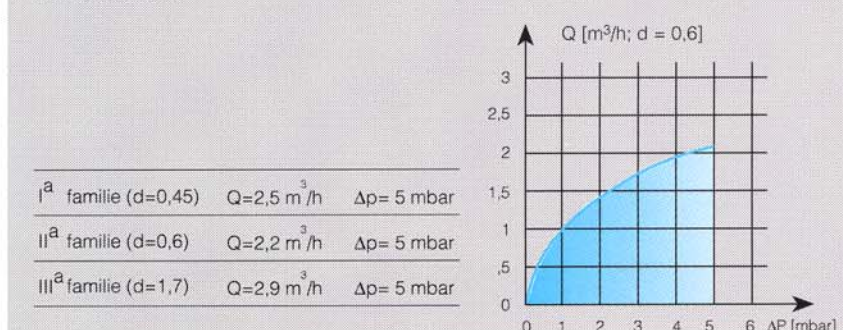
THERMOSTAT REGULATION SPECIFICATION

The regulation specification of the combined modulating/snap thermostat are shown in the following graph and table:



FLOW CHARACTERISTICS

Gas flow as a function of the pressure drop between the inlet and outlet with knob in position 7 and bulb cold



ACCESSORIES

Calibrated screws for limiting the maximum and minimum flow rates.
 Plug for sealing outlets not used.
 Nut and olive for connection to pilot outlet (Ø4 mm, 6 mm or 1/4" pipe).
 Nut and olive for main gas connections (Ø 12 mm pipe).

OPERATION

Lighting the pilot flame

Starting from the OFF position ● (fig. 1), press and turn the knob to the pilot position ✱.

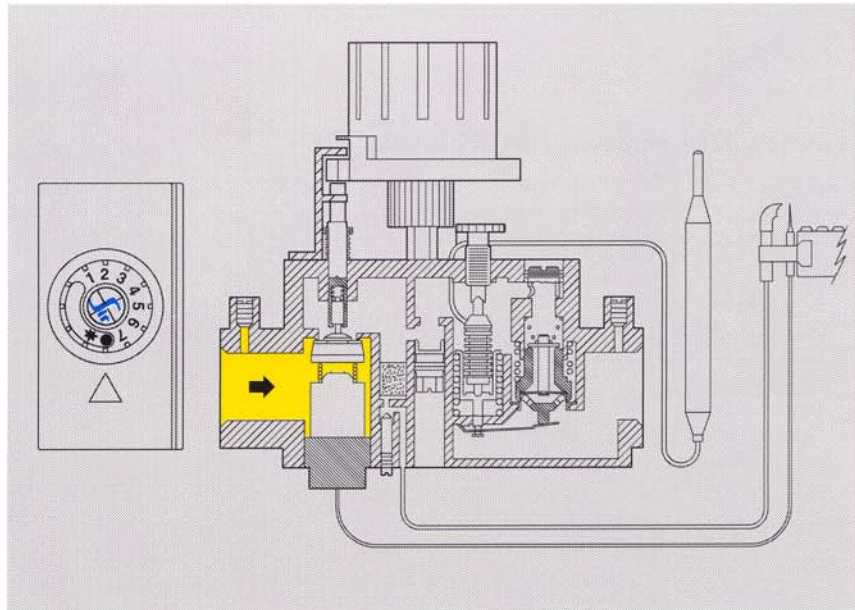
Press the knob and light the pilot flame, keeping the knob pressed for a few seconds (fig. 2).

Release the knob and check that the pilot flame continues to burn (fig. 3). If it goes out, repeat the lighting operation.

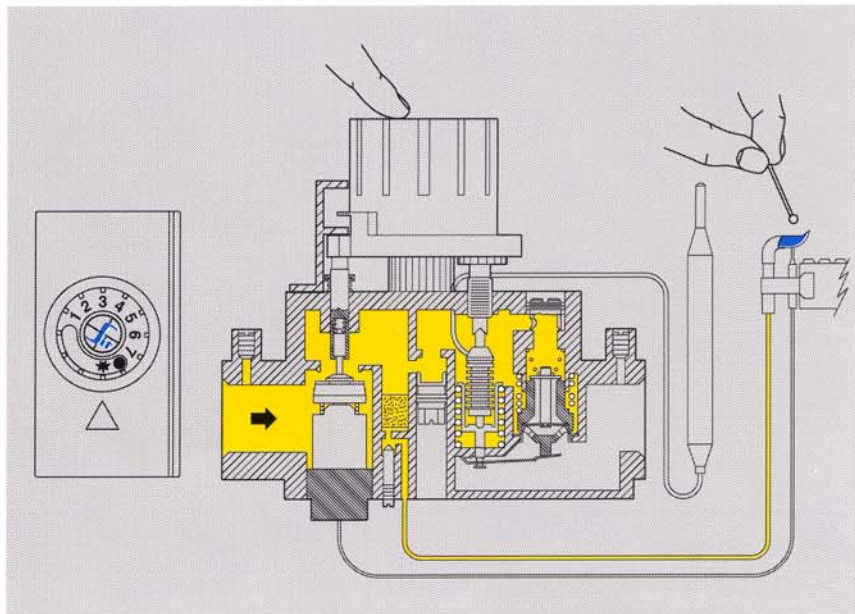
Temperature selection

Turn the knob to the position corresponding to the desired temperature (fig. 4).


1




2

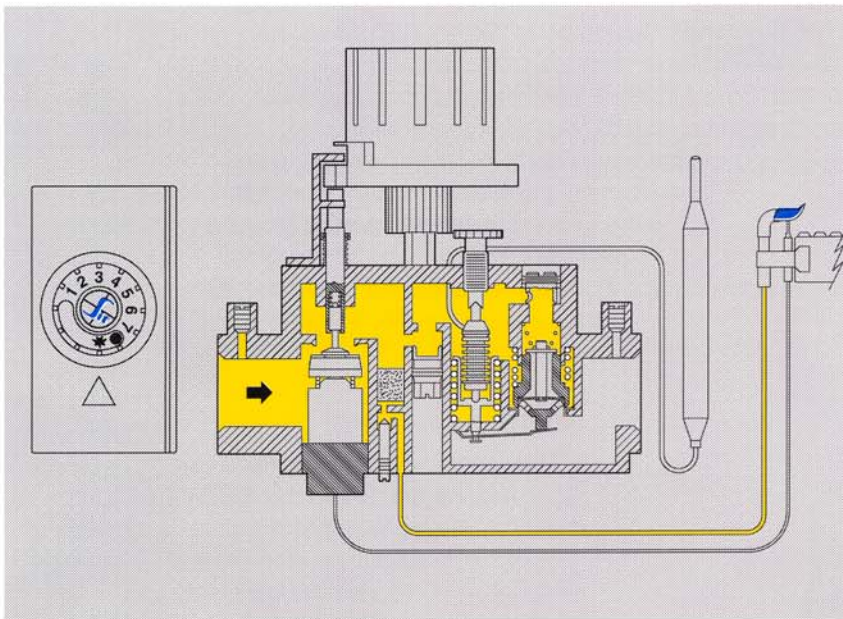


Stand-by position

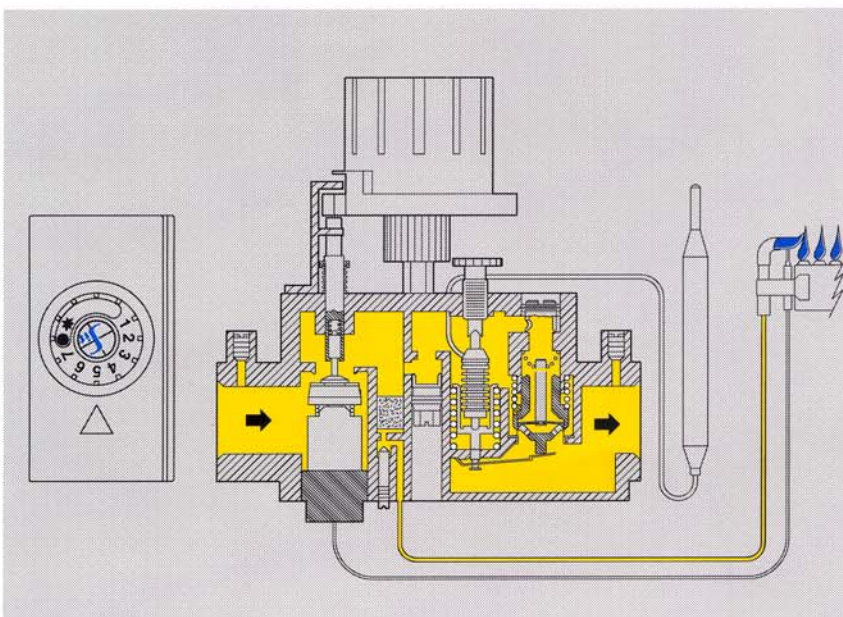
To keep the main burner off and the pilot flame on, turn the knob to the pilot position  from the position corresponding to the selected temperature.

Turning off

Press and turn the knob to the OFF position .



3



4

INSTALLATION

630 EUROSIT complies with current safety standards. Nevertheless, its installation on appliances must be verified in accordance with the specific standards for each installation. In particular, it is necessary to ensure that requirements relating to the class of flame failure device are met. All the installation, setting and adjustment operations must be carried out exclusively by qualified personnel on the basis of the specific characteristics of the appliance. The valve is not for outdoor use.

MECHANICAL CONNECTIONS

General recommendations

Do not tamper with sealed parts. Do not slacken assembly screws. Do not remove labels. Avoid blows (knocks, falls etc.). Only remove dust caps when installing. Do not exceed recommended torques. Ensure that the gas flows in the direction shown by the arrow on the valve body. Prevent foreign matter from getting into the valve during installation. In particular, check the cleanliness of the inlet and outlet pipes. Do not subject the valve to bending in excess of 35 Nm and to torque in excess of 25 Nm.

Use only the specified spanner grips when making the connections. The valve has three pairs of retaining holes.

Main gas connection

The connection must be made using gas pipes with Rp 3/8 ISO 7 thread. Torque: 25 Nm.

Alternatively it is possible to use nut and olive connections for Ø 12 mm pipe (code nos. 0.958.025 and 0.957.007) (torque 15 Nm).

The valve has two main gas inlets (10 and 12) and two outlets (11 and 13).

The outlets which are not used must be sealed by screwing the special plug (code 0.972.061) in flush. Torque 7 Nm.

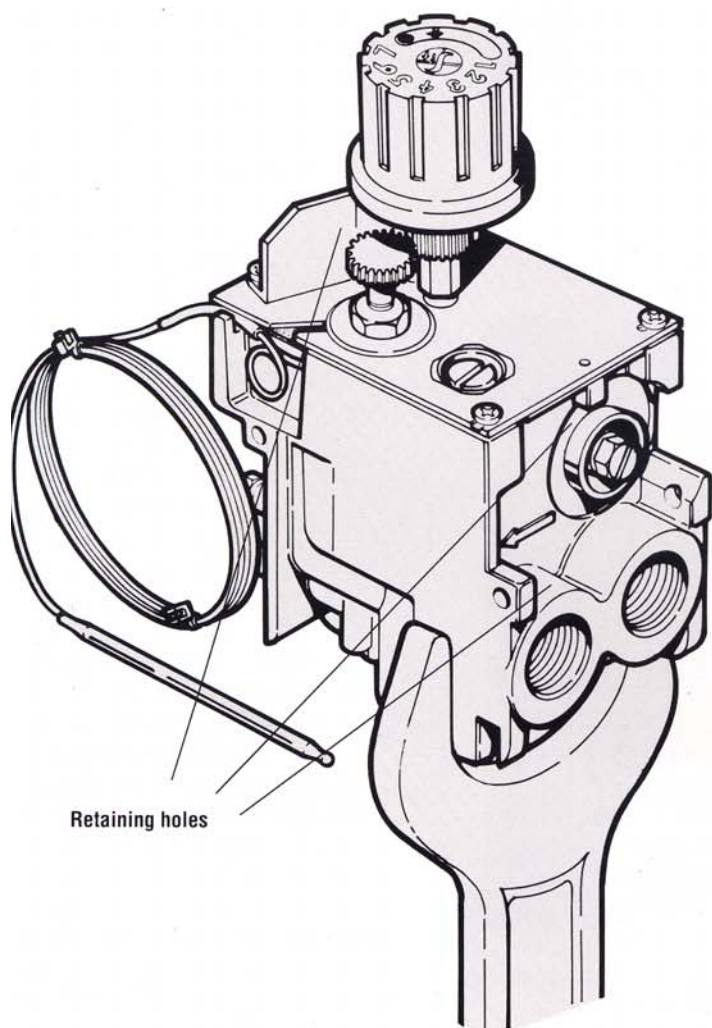
Connection to pilot burner

Ø 4 mm, 6 mm and 1/4" pipes can be used.

Use appropriately sized nut and olive.

Tighten to 7 Nm torque.

After making the gas connections, check seals and ensure appliance works properly.



Retaining holes

SETTINGS AND ADJUSTMENTS

All adjustments must be made on the basis of the specific characteristics of the appliance.

Check inlet and outlet pressure using the pressure test points (6 and 7) provided.

After testing, carefully seal test points with the provided screws. Recommended torque: 2.5 Nm.

Adjustment of maximum and minimum outlet flows

These adjustments must be carried out with the thermostat bulb cold.

Maximum flow

Turn the knob to position 7.

Turn the setting screw (2) fully in.

Turn the setting screw anticlockwise to increase gas flow.

CAUTION: *The setting screw should not be unscrewed more than 2 turns from the fully-in position.*

Minimum flow

Starting from position 7, turn the knob slowly clockwise to the minimum flow position (just before the cut-off click).

Turn the screw (3) clockwise to reduce flow.

It is possible to use screws with calibrated bores (available on request) to replace the maximum by-pass flow setting screw. In this case it is necessary to screw the calibrated screw fully in with 7 Nm torque.

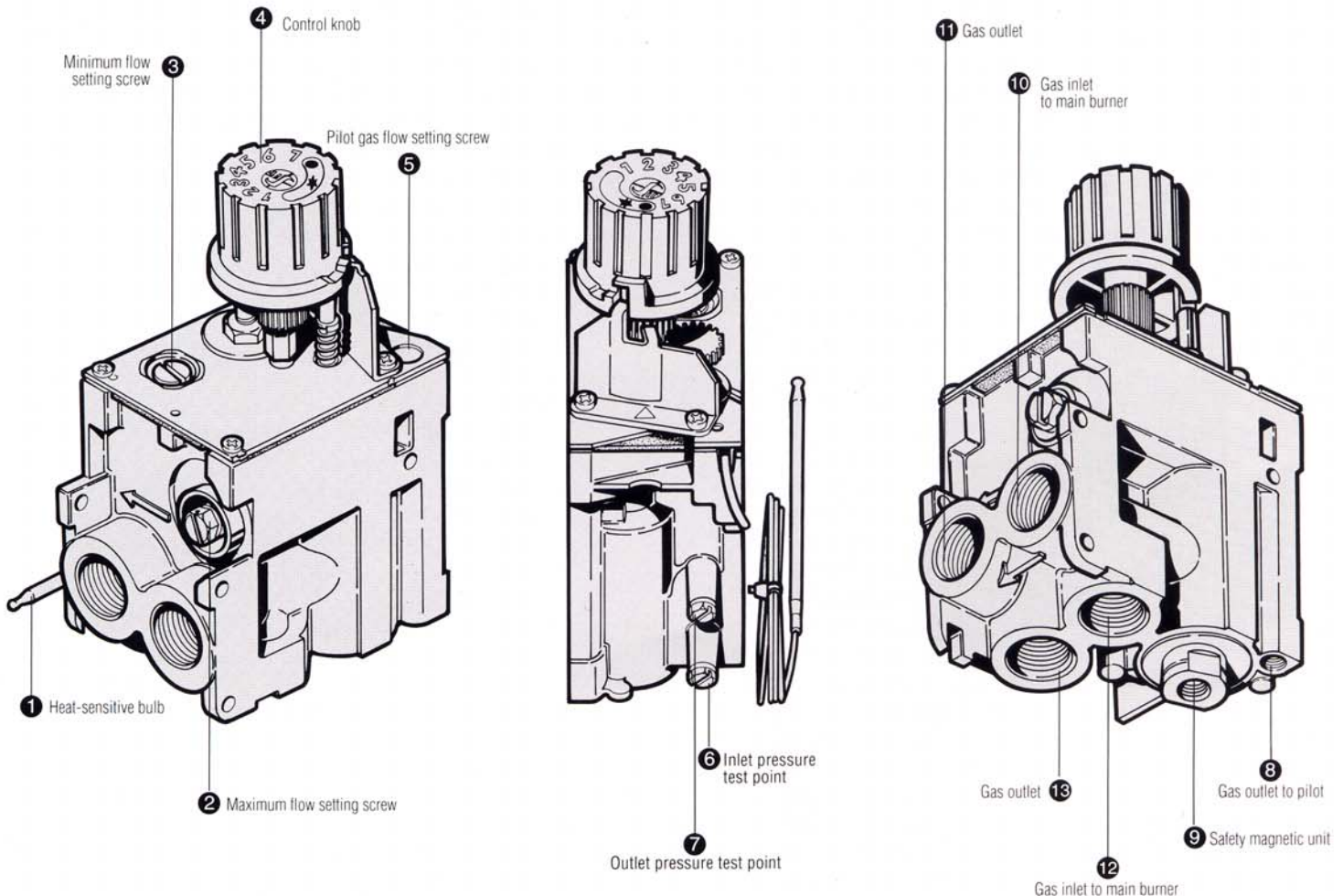
Adjustment of gas flow to the pilot burner

Turn the screw (5) clockwise to reduce flow.

IMPORTANT: *At the end of all setting and adjustment operations, check gas seals and the efficiency of the appliance.*

After carrying out all adjustments, fit the provided seals and/or block the setting screws with paint.

THE VALVE



MAINTENANCE

The only maintenance operation permitted is the replacement of the magnetic unit.
This operation must be carried out by qualified personnel only and according to the instructions provided with the spare parts.

DIMENSIONS

